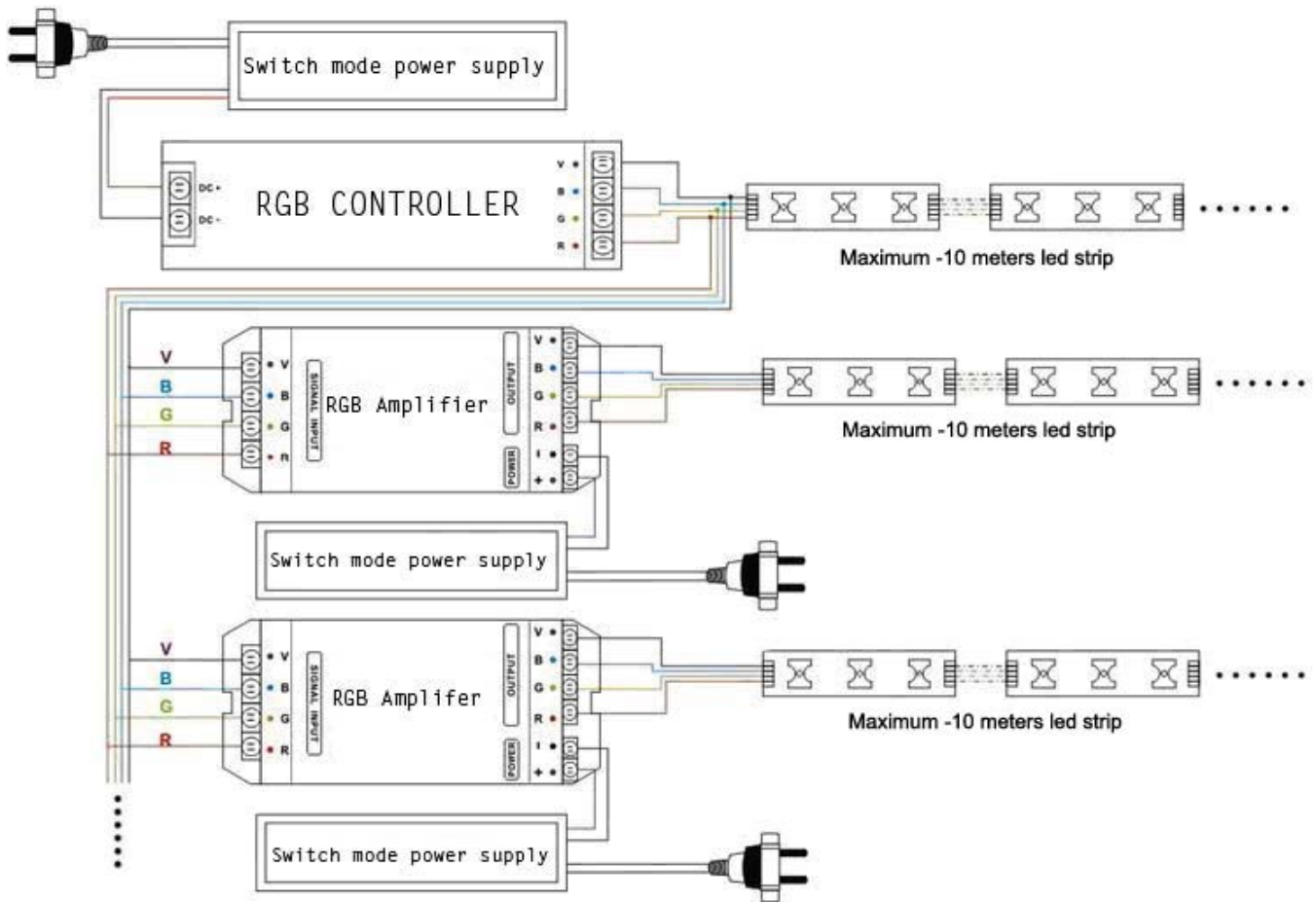
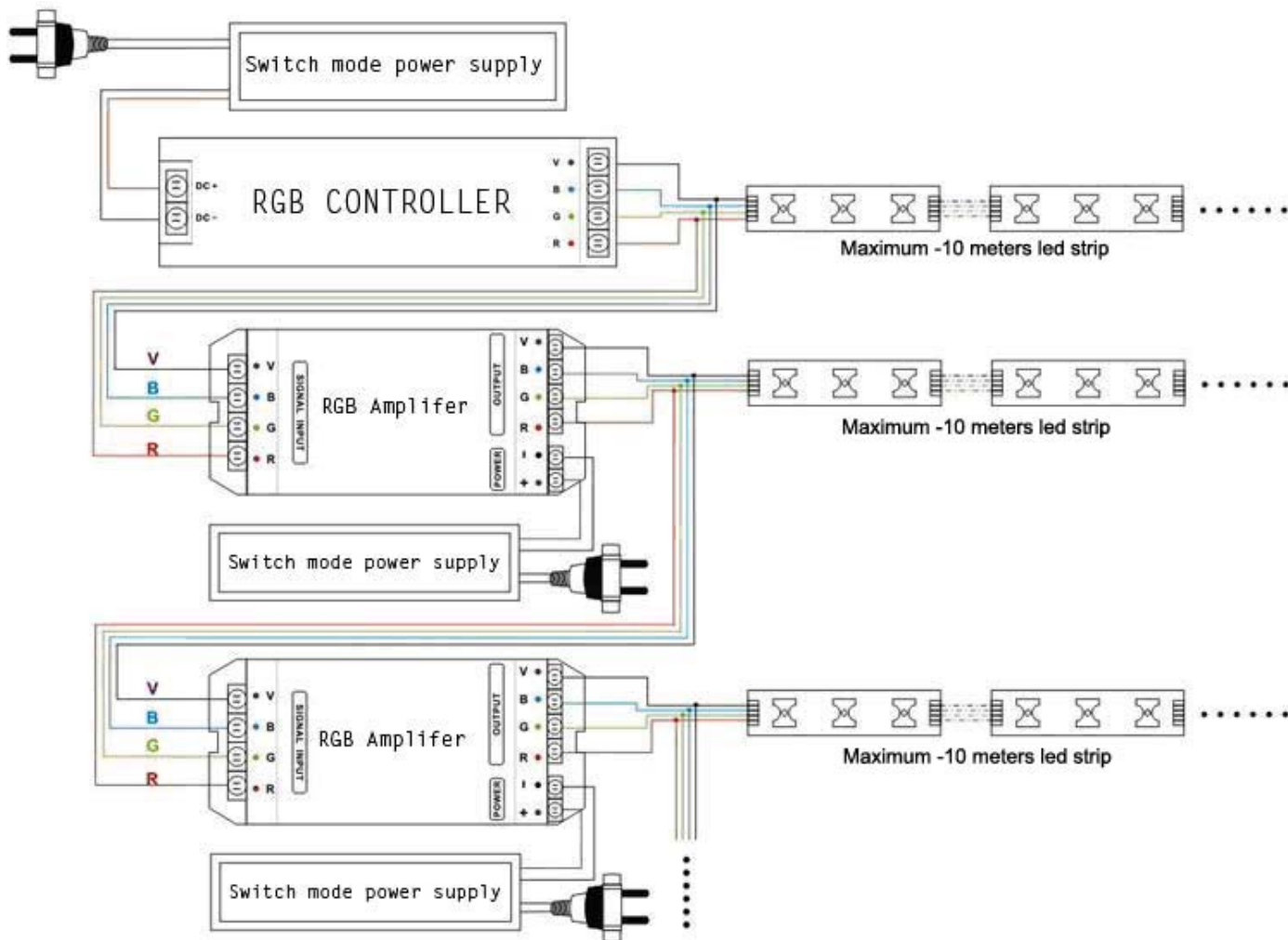


## Method 1:



**Method 2:**



**Method 3:**

