

# THE TRISTAR® SERIES

## PAVO™ -96-DMX CONTROLLER

### Features

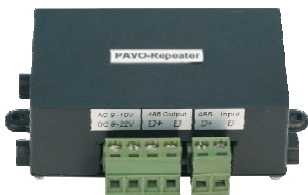
- 1.07 billion (30 bit) RGB color mixing
- Assign individual addresses to each TRISTAR®-RGB-DMX lamp, TRISTAR®-SLAVE lamp or EZStar™ module.
- 20 built-in color-changing programs
- Control 96 devices (lamps, PAVO™ -96-DMX controllers, or PAVO™ Repeaters™)
- Use Star Orchestra™ 3.02, a PC-based software program, to create color-changing programs
- DMX compatible, with auto-detection, when the PAVO™ -96-DMX is connected to a DMX controller
- Use the PAVO™ Repeater™ to connect an additional 32 devices. Multiple PAVO™ Repeaters™ can be used.



### Electrical Specifications

Parameter	Value
<b>Electronic Specifications</b>	
Power Supply	9 ~ 16VAC
Voltage	12 ~ 22VDC
Current	<500mA
Communication Interfaces	DMX and USB
Fan-Out Drive	96 devices max.
<b>Interface Specifications</b>	
Display	8 x 2 Text Mode LCD
Input Interface	5 Function Keys/IR receiver/Power
Built-in Programs	20
<b>Environment Specifications</b>	
Operation Temperature	0~50°C
Storage Temperature	-20~60°C
Humidity	10~90%
Dimensions	127 x 77 x 43mm
Weight	150 g

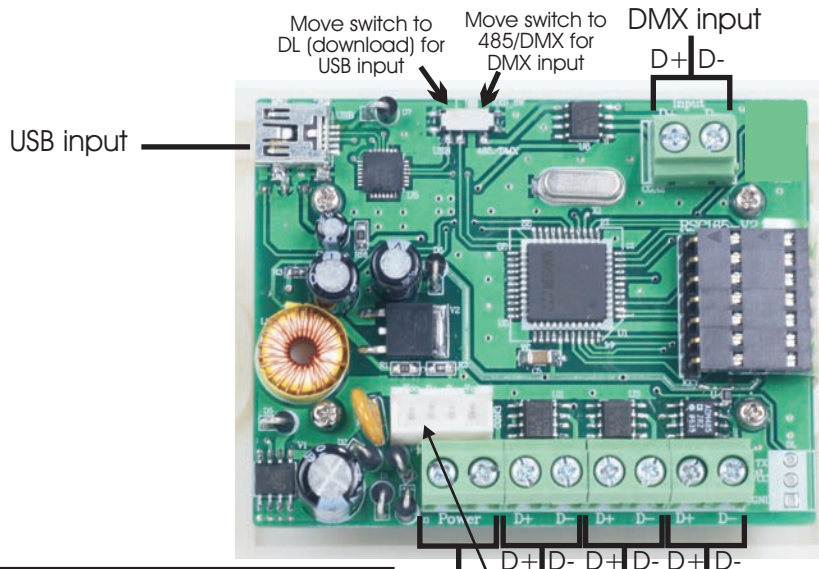
PAVO™ Repeater™



THE TRISTAR® SERIES

PAVO™ -96-DMX CONTROLLER

INPUT AND OUTPUT CONNECTIONS



32 TriStar® RGB-DMX lamps  
 32 TriStar® RGB-DMX lamps

Connect the first 32 TriStar® RGB-DMX lamps to **either** the QCB-4-30 connection **or** the D+ and D- signal connections.

Power Source

- Setting the ID address of a TriStar®-RGB-DMX lamp, TriStar® Slave lamp or EZStar Module**
1. Connect the QCB-4-30 to the PAVO-96-DMX Controller.
  2. Power up the PAVO-96-DMX Controller.
  3. Connect one lamp at a time to the QCB-4-30 and follow the instructions in 4 thru 8.
  4. Point the TriStar IR-1627 remote toward the PAVO-96-DMX.
  5. Push the Setup button for Lamp Address at the bottom of the remote.
  6. The PAVO-96-DMX will show "Set 485id".
  7. Push the up or down buttons to an ID address.
  8. Push Enter. The ID address for that lamp is set.
  9. Disconnect the lamp and mark it with it's ID.
  10. Connect the second lamp and follow the instructions in steps 4-8 above.

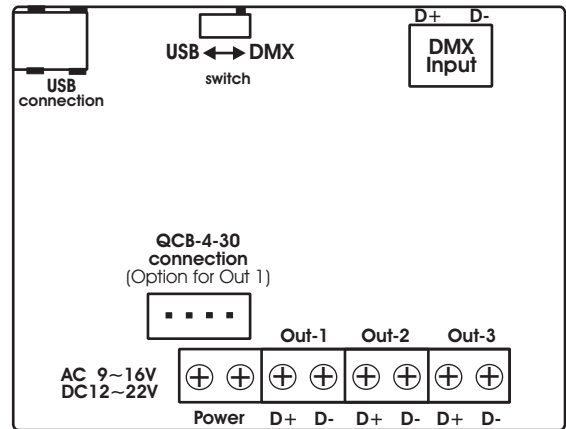


Diagram on inside panel of the PAVO-96-DMX.