



ATTENTION
OBSERVE PRECAUTIONS
FOR HANDLING
ELECTROSTATIC
DISCHARGE
SENSITIVE
DEVICES

HL-5060RGB15B12N1-12

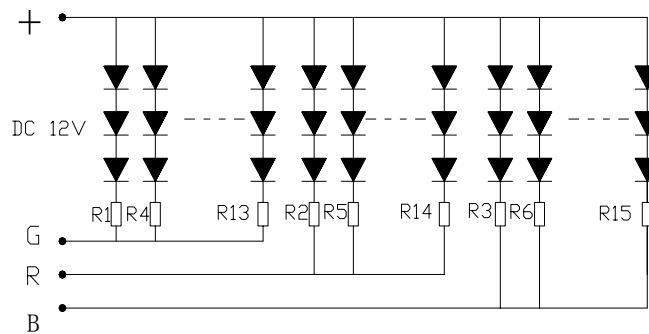
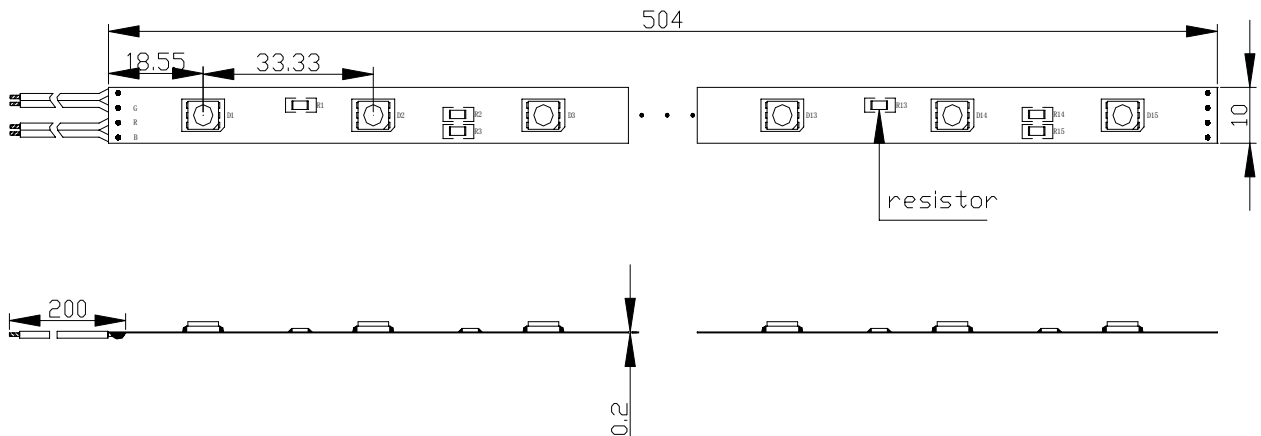
(RGB)



Features

- 504MMX10MM SMD LIGHT RIBBON (15-LED) .
- PRINTED CIRCUIT BOARD THICKNESS: 0.2MM
- WORKING VOLTAGE: 12V DC.
- WORKING CURRENT: 300MA.
- LED VIEW ANGLE(2θ 1/2):100° .
- PACKAGE: 5meters / REEL.

Package Dimensions



Notes:

1. All dimension units are millimeters.
2. All dimension tolerance is ±1mm unless otherwise noted.

Absolute Maximum Rating at TA=25℃

Parameter	Symbol	Absolute Maximum Rating	Unit
Forward Current	IF	300	mA
Power Dissipation	PD	3.6	W
Electrostatic discharge	ESD	400	V
Operating Temperature	Topr	-25~+60	℃
Storage Temperature	Tstg	-40~+80	℃

Electrical / Optical Characteristics at TA=25℃

Parameter	Symbol	Color	Condition	Min	Typ	Max	Unit
Forward Voltage DC	VF	RGB	IF=300mA	--	12	--	V
Dominant Wavelength	λD	R	IF=100mA	621	624	--	nm
		G	IF=100mA	515	518	--	
		B	IF=100mA	469	471	--	
Luminous flux	φV	R	IF=100mA	--	10	--	lm
		G	IF=100mA	--	35	--	
		B	IF=100mA	--	10	--	
Recommend Forward Current	IF(rec)	--	--	--	300	--	mA

Notes:Tolerance of measurement of luminous intensity±15%.