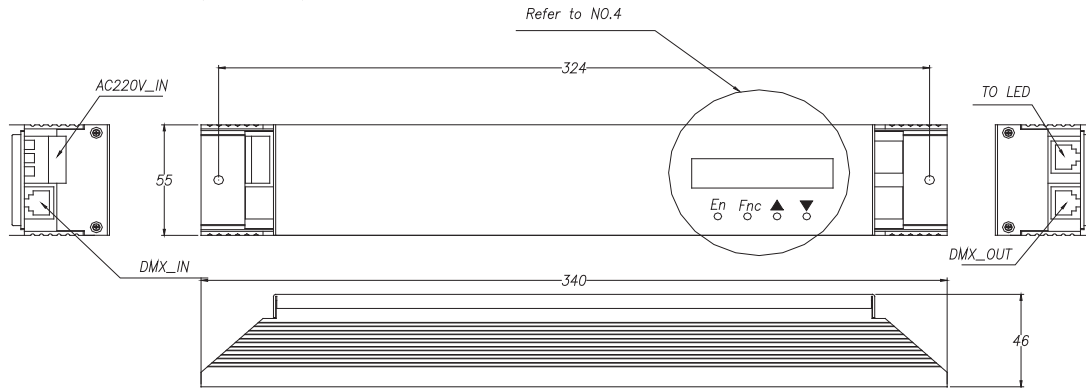


## 1.Type No:

HL3350-DMX-LCD

## 2.Technical Data

- Dimensions (Unit: mm)



### Electrical ( Top = 25°C )

Parameter	Symbol	HL3350-DMX-DIP OR HL3350-DMX-LCD
Input voltage	V <sub>in</sub>	*230 VAC ±10%
Efficiency	-	85%
Output current	I <sub>o</sub>	350mA ±5%
Output power (max)	P <sub>o</sub>	* ≤ 54W

### Operation Condition

Parameter	Symbol	min	max
Operation temp	Top	-20 °C	+60°C
Storage temp	Tstg	-20 °C	+80°C
Case temp	Tc		+70°C

Attention:

Do not power on the driver until the outputs are connected!

## 3.Connector

- DMX\_IN: Connect to DMX512 signal incoming from controller
- DMX\_OUT: Connect to next led driver DMX\_IN
- OUTPUT: RJ45 connector linking to LED fixture of 3 DC circuits independently OR can be common anode.

OUTPUT RJ45 connector poles defined

1 : Common (+)	constant current in PWM form
2 :Blue (-)	
3 : Common (+)	constant current in PWM form
4 :Green (-)	
5 : Common (+)	constant current in PWM form
6 :Red (-)	
7 : Temp 1	10kΩ NTC
8 : Temp 2	

DMX\_IN and DMX\_OUT RJ45 connector poles defined .

1 : Data(+)
2 :Data(-)
3 : NC
4 : NC
5 : NC
6 : NC
7 : NC
8 : NC

## 4.Addressing

- 1.Press "Fnc" to enter setup mode.
- 2.Press "▲" or "▼" to set the assigned address(initial).
- 3.Press "En" to confirm address, driver ready to run.
- 4.The initial address is n, then automatically other two channel assigned as n+1 and n+2.
- 5.Function address (DMX/In signal will be ignored).
  - 000: Automatic color-mixing cycle test
  - 511: Individual channel self- test
  - 510: Channel 1 at 100% intensity
  - 509: Channel 2 at 100% intensity
  - 508: Channel 3 at 100% intensity
  - 507: All three channels at 100% intensity

**P.S. HI-LINE LTD**

Tel:+357-25-814106 Fax:+357-25-585075

www.hiline-lighting.com